

# Technical Data Sheet

CODE 15182

## TORRETTA TRM 15 E-V 4P

Centrifugal roof fans with vertical discharge



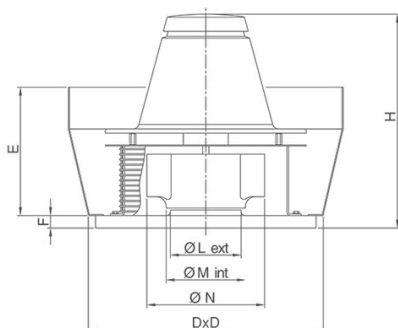
### Certifications



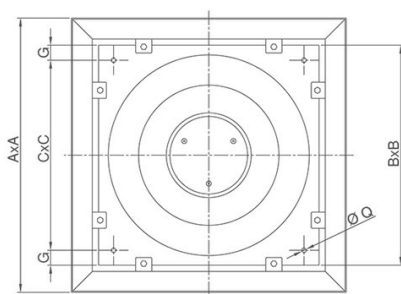
### TECHNICAL AND PERFORMANCE DATA

Absorbed Current max (A)	0,70	Number of Poles	4
Absorbed Power max (W)	150	Voltage (V)	230
Frequency (Hz)	50	Weight (Kg)	24
Insulation Class	I°	Delivery max (l/s)	389
Max ambient temperature for continuous operation (°C)	80	Delivery max (m³/h)	1400
Motor IP protection	55	Pressure max (mmH2O)	26
Nominal Diameter (mm)	200	Pressure max (Pa)	255
Number of Phases (Ph)	1	RPM	1400
		Sound Pressure level Lp [dB (A)] 3m	58,5

### DIMENSIONS



Size A (mm)	652
Size B (mm)	410
Size C (mm)	357
Size D (mm)	440
Size E (mm)	328
Size F (mm)	38
Size G (mm)	26,5
Size H (mm)	502
Size L (mm)	182



#### PER INFORMAZIONI:

Servizio al Cliente: tel +39 02 90699395 premendo 1 dopo messaggio registrato (consulenza su prodotti e impianti)

Pre & Post Vendita: fax +39 02 90699302

Email prevendita: [prevendita@vortice-italy.com](mailto:prevendita@vortice-italy.com)

# Technical Data Sheet

CODE 15182

## TORRETTA TRM 15 E-V 4P

Centrifugal roof fans with vertical discharge



### DESCRIPTION

- Base manufactured from phosphated pressed steel, epoxy powder coated with hammered effect finish, guaranteeing long-term resistance to atmospheric agents.
- Aerodynamically contoured inlet port for optimum performance, fashioned as a single unit with the base and gauged to optimize air flow.
- Pressed steel motor cover: pickled and phosphated surface, polyester powder coated and oven baked finish, colour grey, with hammered texture.
- Pressed steel side baffles angled to exhaust extracted air upwards: zinc-coated, pickled and phosphated surface, polyester powder coated and oven baked finish, colour grey, with hammered texture.
- Accident prevention and anti-bird grilles (to UNI ISO 13857 standard), consisting of electrically welded steel rings with epoxy powder coated finish, colour black.
- Centrifugal aluminium impeller with self-cleaning backward curved blades, dynamically balanced (UNI ISO 1940, Point 1 – Class 6.3), and splined aluminium hub.
- 1 speed single phase AC motor, size to UNEL MEC standard, flange B5, with shaft turning in double shielded ball bearings, insulation class H.
- Equipped with capacitor to EN 60252-1 standard, IMQ certified.
- Cooling fan for better dissipation of heat
- Galvanized steel eye lugs for transport and lifting/handling operations.
- Cable guaranteeing continuity of earth connection.
- Steel safety wire for anchoring appliances once installed.
- Vortice speed controller.

### ACCESSORIES



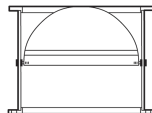
**IRM 30**

Code 12921



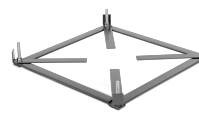
**IREM 3 CD**  
**99250080**

Code 12931



**TR-S 10/15**  
**(SERRANDA A**  
**GRAVITA')**

Code 22500



**TR-CU 10/15**  
**(CONTROTELAIO**  
**DI BASE U.)**

Code 22511

#### PER INFORMAZIONI:

Servizio al Cliente: tel +39 02 90699395 premendo 1 dopo messaggio registrato (consulenza su prodotti e impianti)

Pre & Post Vendita: fax +39 02 90699302

Email prevendita: [prevendita@vortice-italy.com](mailto:prevendita@vortice-italy.com)