

Technical Data Sheet

CODE 17188

LINEO 160 T

Mixed flow extractor fans



Certifications



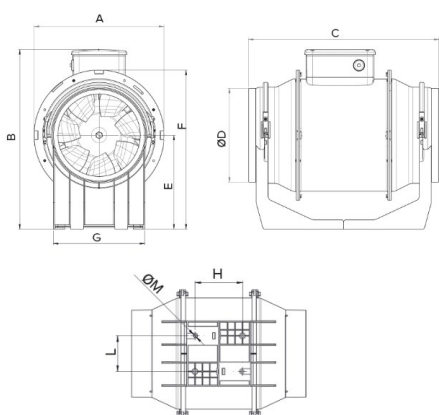
IMQ Performance



TECHNICAL AND PERFORMANCE DATA

Absorbed power 1st speed (W)	40	Delivery 1st speed (m ³ /h)	385
Frequency (Hz)	50	Max delivery at max speed (l/s)	152,8
Insulation Class	II°	Max delivery at max speed (m ³ /h)	550
IP	44	Pressure - 1st speed (mmH2O)	21
Max ambient temperature for continuous operation (°C)	60	Pressure - 1st speed (Pa)	206
Max. absorbed Current at max. speed (A)	0,26	Pressure max - max speed (mmH2O)	27
Max. absorbed Current at min. speed (A)	0,18	Pressure max - max speed (Pa)	264,9
Max. absorbed power at max speed (W)	58	RPM max	2100
Voltage (V)	220-240	RPM min	1580
Weight (Kg)	2,8	Sound pressure level Lp [dB (A)] 3m - max speed	50,8
Delivery 1st speed (l/s)	106,9	Sound pressure level Lp [dB (A)] 3m - min speed	41,7

DIMENSIONS



Size A (mm)	214,5
Size B (mm)	234
Size C (mm)	272,5
Size D (mm)	156
Size E (mm)	112,5
Size F (mm)	212
Size G (mm)	110
Size H (mm)	60
Size L (mm)	80
Size M (mm)	5,5

PER INFORMAZIONI:

Servizio al Cliente: tel +39 02 90699395 premendo 1 dopo messaggio registrato (consulenza su prodotti e impianti)

Pre & Post Vendita: fax +39 02 90699302

Email prevendita: prevendita@vortice-italy.com

Technical Data Sheet

CODE 17188

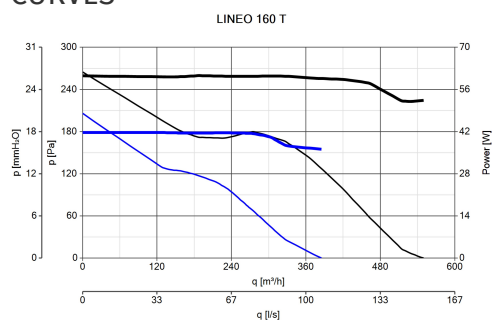
LINEO 160 T

Mixed flow extractor fans



DESCRIPTION

CURVES



ACCESSORIES



IN-LINE-S 160

Code 22563



LINEO-PF 160

Code 22581



LINEO-C 160

Code 22587



LINEO-SF 500

Code 22593



LINEO-G 160

Code 22704



DUO

Code 22914



IREM D

Code 12867

PER INFORMAZIONI:

Servizio al Cliente: tel +39 02 90699395 premendo 1 dopo messaggio registrato (consulenza su prodotti e impianti)

Pre & Post Vendita: fax +39 02 90699302

Email prevendita: prevendita@vortice-italy.com