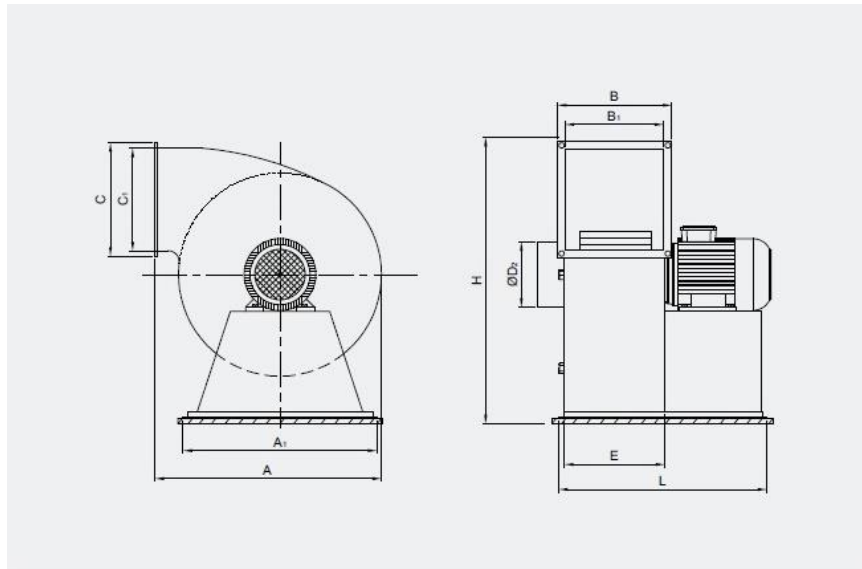


ABS

VENTILATOR CENTRIFUGAL DE PRESIUNE JOASA

Tip	Tensiune	Frecventa	Putere	Viteza	Debit	Presiune	Greutate
	V	Hz	kW	RPM	m ³ /h	Pa	Kg
ABS-3-4K-T BAT33	220 / 380	50	1.1	1400	3500	588	24
ABS-4-4K-T BAT34	220 / 380	50	1.5	1400	4500	686	29
ABS-5-4K-T BAT35	220 / 380	50	2.2	1400	6000	735	34
ABS-6-4K-T BAT36	220 / 380	50	3	1400	6500	784	39



Tip	A	A1	B	B1	C	C1	D2	E	H	L
ABS-3-4K-T BAT33	530	410	260	200	320	270	240	200	660	490
ABS-4-4K-T BAT34	600	410	270	220	340	290	260	220	690	510
ABS-5-4K-T BAT35	630	475	280	230	370	320	300	230	730	600
ABS-6-4K-T BAT36	630	475	300	250	370	320	320	250	730	620

Dimensiuni in mm

Curbe de functionare

